

APS

Guide



***Energy-Efficient
Lighting for
Commercial
Applications***



***Vandal Resistant and
Vapor Proof Fixtures
Section***



LURA LINE
LIGHTING



INTRODUCTION

Luraline Lighting is proud to introduce **APS: A Product Specifier's Guide to Energy-Efficient Lighting for Commercial Applications**. The guide features hundreds of lighting fixtures designed to meet today's demanding efficiency and performance standards, while offering the specifier a multitude of options for fixture styles, lamp types, wattages, efficacy and longevity.

ABOUT Us...

You can specify with confidence, knowing that Luraline Lighting has manufactured quality products in the USA since 1967. Our company headquarters in South Florida includes a 30,000-square-foot production facility with CAD equipment and full custom capabilities. Regardless of the size or scope of the project, we pride ourselves on customer service and an attention to detail that ensures a successful lighting installation.

OUR PRODUCTS...

In addition to the commercial fixtures in this guide, Luraline Lighting manufactures a full line of products for hospitality, contract, retail, restaurant, healthcare, educational, institutional and multi-family residential applications.

We offer an extensive selection of lighting fixtures suitable for exterior and interior installations. Fixtures are available in pendant, ceiling, sconce, wall and post-mount configurations, with a broad range of choices for lamping and diffusers, optional accessories, and colors, tones and finish textures.











Luraline Lighting combines energy-efficient lamping with durable construction and materials that maximize energy savings while minimizing repair and replacement costs. We utilize the latest in high-efficiency light sources, including electronically driven compact fluorescent, HID, LED and induction lamping.



TABLE OF CONTENTS

Introduction.....ii
Lighting and the Environment iv

OUR PRODUCTS

	Cutoff Wall Mounts	A2 - 5, A7 - 11
	Bulkheads	A13 - 25
	Wall Packs	A6, A12, A26 - 40
	Flood Lights	A42 - 56
	Area and Roadway Lighting	A58 - 79
	Bollards, Poles and Accessories	A80 - 86
	Parking Garage Lights	A88 - 89
	Vandal Resistant Fixtures	A90 - 95
	Vapor Proof Fixtures	A96 - 102
	High Bay and Low Bay Lighting	A104 - 108

APPENDIX

About High Performance Lighting	a1
Light Source Comparisons	a2 - 3
Light Source Overviews and Recommendations	a4 - 7
Lighting Organizations and Resources	a8 - 9
Numerical Product Index	a10 - 11



LIGHTING AND THE ENVIRONMENT

Luraline Lighting is proud to be part of the movement toward increased energy efficiency, which represents one of the lighting industry's most important contributions toward green design and the sustainable building movement.

Luraline has focused on producing energy-efficient, high-performance lighting fixtures for more than four decades. The company views its longtime commitment toward eco-efficiency as an integral part of providing the highest quality and value to its customers.

Continuing technical advances have resulted in lamping options that are more cost-effective and yet perform as well or better than older methods. While some of the new lamping sources may cost more initially, the resulting energy savings provide an excellent return on investment for new builds and remodels. In addition, the installation of longer-life lamps minimizes replacement costs as well as labor and operating expenses.

As Luraline continues to evolve along with the lighting industry, the company will keep pace with emerging technologies and materials in order to support both its environmental initiatives and to maximize the bottom-line costs savings for its clients.

Luraline Lighting is a proud member of organizations at the forefront of our industry's environmental initiatives:



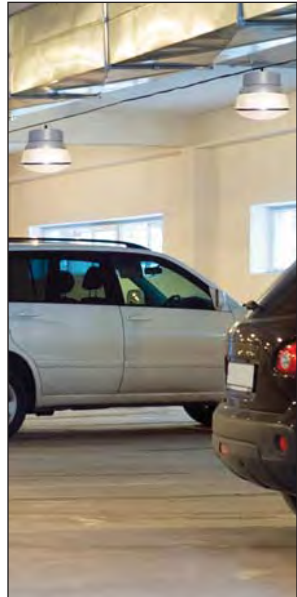
USGBC and related logo is a trademark owned by the U.S. Green Building Council and is used by permission.

In consideration of the environment, this guide was printed with soy ink and in a reduced size to conserve paper.



VANDAL RESISTANT AND VAPOR PROOF FIXTURES

Luraline vandal-resistant and vapor-proof fixtures are designed to withstand harsh environmental conditions while providing the maximum in security. Also included is our collection of die-cast aluminum garage lighting for enhanced safety and glare reduction in commercial parking structures. Fixtures are suitable for a range of commercial, industrial and institutional lighting applications, each offered with energy-efficient lamping options including EISA-compliant pulse-start metal halide, compact fluorescent, 100,000-hour induction, LED and high-pressure sodium, with incandescent lamping also available on select models.



Larger-sized PDF files, product cut-sheets and detailed photometric data available at www.luraline.com.

Deluxe Garage Light

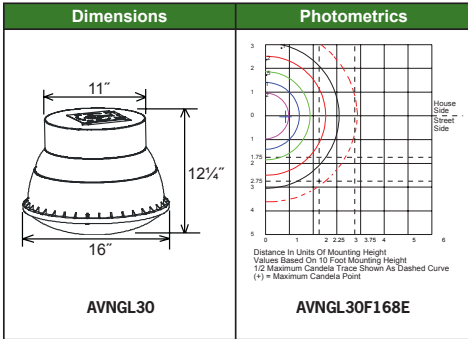
AVNGL30



Easy Hang Bracket



Housing: Heavy duty round die-cast aluminum housing, powdercoat finish over a chromate conversion coating
Reflector: Two-piece aluminum reflector - upper section removes to create uplight
Lens: Clear polycarbonate prismatic optical refractor with gasket and hinged drop lens for easy relamping
Socket: HID: Porcelain 4KV pulse rated medium base with nickel-plated screw shell
 CF: Plug-in type, GX24Q-4
Mounting: Easy hang bracket fits standard 4" electrical box, allowing one person installation or pendant mount with optional adaptor (VNGLPM)
Wattage: High Pressure Sodium: 70 to 150w
 Metal Halide: 50 to 150w
 Compact Fluorescent: 4 x 42w
 Induction: 80w
 LED: 2 x 15w, 4 x 15w
Listings & Ratings: CSA Listed for dry locations



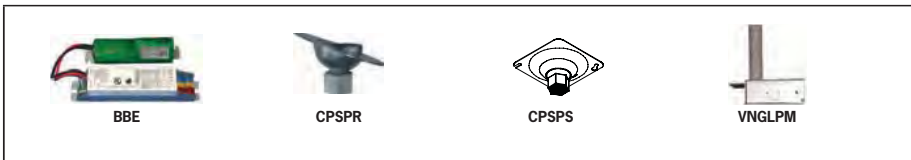
Catalog #	Wattage	Voltage	Lamp	Ballast
AVNGL30H70R120	70	120	HPS	R-NPF
AVNGL30H100R120◇◇	100	120	HPS	R-NPF
AVNGL30H150R120◇◇	150	120	HPS	R-NPF
AVNGL30H70Q◇◇	70	Quad	HPS	HX-HPF
AVNGL30H100Q◇◇	100	Quad	HPS	HX-HPF
AVNGL30H150Q◇◇	150	Quad	HPS	HX-HPF
AVNGL30M50D◇◇	50	120/277	MH	HX-HPF
AVNGL30M70Q◇◇	70	Quad	MH	HX-HPF
AVNGL30M100Q◇◇	100	Quad	MH	HX-HPF
AVNGL30M150Q◇◇	150	Quad	MH	HX-HPF
AVNGL30F168E◇◇	4 x 42	120-277	CF	Electronic
AVNGL30I80120◇◇	80	120	IND	Electronic
AVNGL30I80277◇◇	80	277	IND	Electronic
AVNGL30L2X15Q◇◇	2 x 15	120-277	LED	Electronic
AVNGL30L4X15Q◇◇	4 x 15	120-277	LED	Electronic

◇◇Specify color: TAL=Textured Aluminum, Z=Bronze, W= White

Options and Accessories

Catalog #	Description
BBE	Battery Back Up - available for Compact Fluorescent models (specify 120V or 277V)
CPSPR	Round Swivel Canopy, Fits 3/4" Conduit**
CPSPS	Square Swivel Canopy, Fits 3/4" Conduit**
VNGLPM	Pendant Mount Adapter, Fits 3/4" Conduit** (order canopies and stems separately)

**Conduit Stems available by special order only - please consult factory



Specifications subject to change without notice.

AVNGL40

Vandal Resistant Garage Light

Housing: Die-cast aluminum housing, 1/2" coin plugs with O-rings for conduit and photocell on sides and back, textured architectural bronze powdercoat finish over a chromate conversion coating

Reflector: White powdercoat reflector

Lens: Extended clear prismatic polycarbonate lens

Socket: HID: Porcelain 4KV pulse rated medium base socket with nickel-plated screw shell, vertical (base up) mount.

CF: Plug-in type, GX24Q-4

Mounting: Built-in template for mounting to an electrical box, or use 1/2" surface conduit or pendant mount with optional adapter (VNLPLM)

Wattage: High Pressure Sodium: 70 to 150w

Metal Halide: 50 to 150w

Compact Fluorescent: 2 x 42w

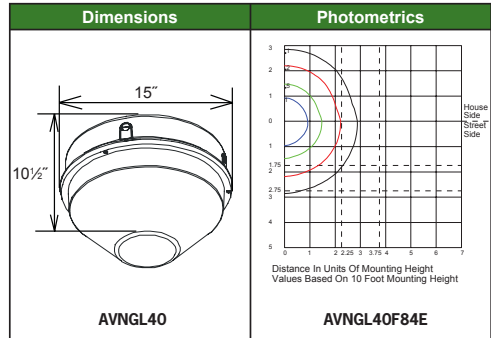
Induction: 80w

LED: 1 x 7.5w, 3 x 7.5w, 1 x 15w, 2 x 15w, 3 x 15w, 4 x 15w

Listings & Ratings: CSA Listed for wet locations

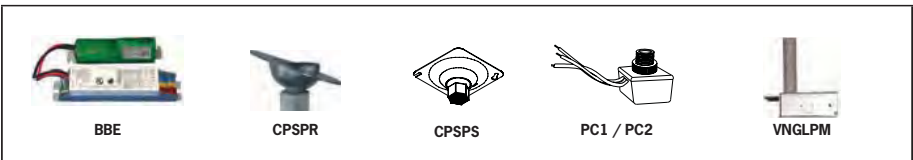


Catalog #	Wattage	Voltage	Lamp	Ballast
AVNGL40H70R120	70	120	HPS	R-NPF
AVNGL40H100R120	100	120	HPS	R-NPF
AVNGL40H150R120	150	120	HPS	R-NPF
AVNGL40H50D	50	120/277	HPS	HX-HPF
AVNGL40H70Q	70	Quad	HPS	HX-HPF
AVNGL40H100Q	100	Quad	HPS	HX-HPF
AVNGL40H150Q	150	Quad	HPS	HX-HPF
AVNGL40M50D	50	120/277	MH	HX-HPF
AVNGL40M70Q	70	Quad	MH	HX-HPF
AVNGL40M100Q	100	Quad	MH	HX-HPF
AVNGL40M150Q	150	Quad	MH	HX-HPF
AVNGL40F84E	2 x 42	120-277	CF	Electronic
AVNGL40I80120	80	120	IND	Electronic
AVNGL40I80277	80	277	IND	Electronic
AVNGL40L1X7HQ	1 x 7.5	120-277	LED	Electronic
AVNGL40L3X7HQ	3 x 7.5	120-277	LED	Electronic
AVNGL40L1X15Q	1 x 15	120-277	LED	Electronic
AVNGL40L2X15Q	2 x 15	120-277	LED	Electronic
AVNGL40L3X15Q	3 x 15	120-277	LED	Electronic
AVNGL40L4X15Q	4 x 15	120-277	LED	Electronic



Options and Accessories	
Catalog #	Description
BBE	Battery Back Up - available for Compact Fluorescent models (specify 120V or 277V)
CPSPR	Round Swivel Canopy, Fits 3/4" Conduit**
CPSPS	Square Swivel Canopy, Fits 3/4" Conduit**
PC1	120V Photocell (Field Installed)
PC2	208-277V Photocell (Field Installed)
VNLPLM	Pendant Mount Adapter, Fits 3/4" Conduit** (order canopies and stems separately)

**Conduit Stems available by special order only - please consult factory



Specifications subject to change without notice.

Vandal Resistant Entry Light

AVN10



Housing: Die-cast aluminum housing, galvanized back pan, textured black, bronze, white powdercoat finish
Lens: Clear prismatic polycarbonate lens with gasket
Socket: CF Plug-in type, GX23-2
Mounting: Mount directly over a recessed electrical box
Wattage: Compact Fluorescent: 2 x 13w
Listings & Ratings: CSA Listed for wet locations

Dimensions	Photometrics
<p>AVN10</p>	<p>AVN10F26</p>

Catalog #	Wattage	Voltage	Lamp	Ballast
AVN10**F26	2 x 13	120	CF	Magnetic
**Specify color: W=White, B=Black, Z=Bronze				

Options and Accessories	
Catalog #	Description
TPB	Tamper-proof screw bit
TPS	Tamper-proof screw



Specifications subject to change without notice.

AVN20

Small Vandal Resistant Light

Housing: White powdercoat steel

Lens: Clear prismatic polycarbonate lens

Socket: AVN20F7: Plug-in type, G23

AVN20F13: Plug-in type, GX23-2

AVN20I: Porcelain 4KV pulse rated medium base socket with nickel-plated screw shell

Mounting: Mount directly over a recessed electrical box

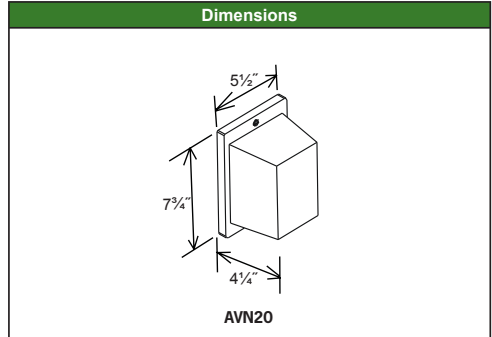
Wattage: Compact Fluorescent: 1 x 7w, 1 x 13w
Incandescent: 75w

Listings & Ratings: CSA Listed for wet locations, covered ceiling mount only

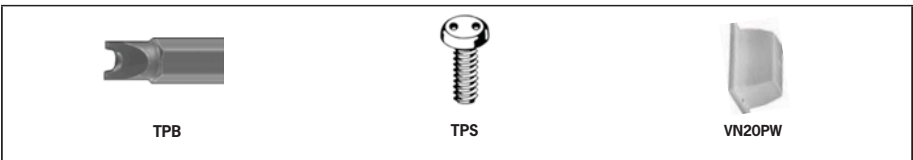


Catalog #	Wattage	Voltage	Lamp	Ballast
AVN20F7	7	120	CF	Magnetic
AVN20F13	13	120	CF	Magnetic
AVN20I*	75	120	Incand	none

*Lamp not included with incandescent model



Options and Accessories	
Catalog #	Description
TPB	Tamper-proof screw bit
TPS	Tamper-proof screw
VN20PW	Special Order White Replacement Lens Only



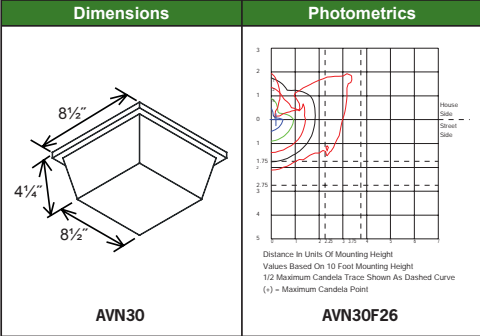
Specifications subject to change without notice.

AVN30

Medium Vandal Resistant Light

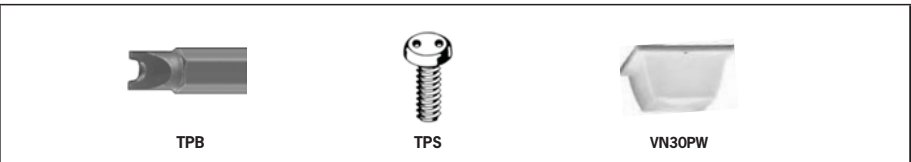


- Housing:** White powdercoat steel
- Lens:** Clear prismatic polycarbonate lens
- Socket:** CF Plug-in type, GX23/GX23-2
Incandescent: Porcelain medium base socket with nickel-plated screw shell
- Mounting:** Mount directly over a recessed electrical box
- Wattage:** Compact Fluorescent: 2 x 9w, 2 x 13w
Incandescent: 75w
- Listings & Ratings:** CSA Listed for wet locations, covered ceiling mount only



Catalog #	Wattage	Voltage	Lamp	Ballast
AVN30F18	18	120	CF	Magnetic
AVN30F26	26	120	CF	Magnetic
AVN30I*	75	120	Incand	none
*Lamp not included with incandescent model				

Options and Accessories	
Catalog #	Description
TPB	Tamper-proof screw bit
TPS	Tamper-proof screw
VN30PW	Special Order White Replacement Lens Only



Specifications subject to change without notice.

Medium Vandal Resistant Light - Deep Housing

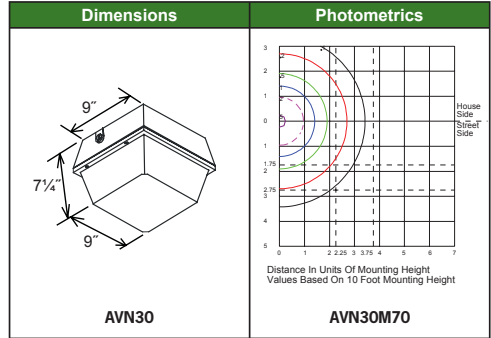
AVN30

- Housing:** Die-cast aluminum housing, 1/2" coin plugs with O-rings for conduit and photocell on two sides and back, textured architectural bronze powdercoat finish over a chromate conversion coating
- Reflector:** White powdercoat reflector
- Lens:** Clear prismatic polycarbonate lens
- Socket:** HID: Porcelain 4KV pulse rated medium base socket with nickel-plated screw shell
CF: Plug-in type, GX24Q-3/-4
- Mounting:** Mount directly over a recessed electrical box or use 1/2" surface conduit
- Wattage:** High Pressure Sodium: 50 to 70w
Metal Halide: 50 to 70w
Compact Fluorescent: 1 x 26 to 42w
LED: 1 x 7.5w

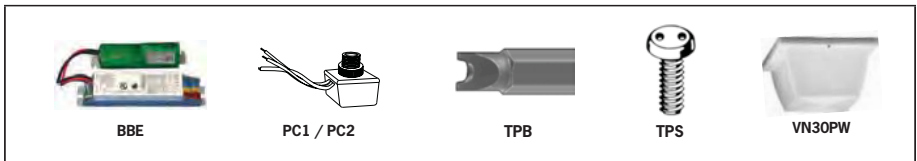


Listings & Ratings: CSA Listed for wet locations

Catalog #	Wattage	Voltage	Lamp	Ballast
AVN30H50R120	50	120	HPS	R-NPF
AVN30H70R120	70	120	HPS	R-NPF
AVN30H50D	50	120/277	HPS	HX-HPF
AVN30H70Q	70	Quad	HPS	HX-HPF
AVN30M50D	50	120/277	MH	HX-HPF
AVN30M70Q	70	Quad	MH	HX-HPF
AVN30F26E	1 x 26	120-277	CF	Electronic
AVN30F32E	1 x 32	120-277	CF	Electronic
AVN30F42E	1 x 42	120-277	CF	Electronic
AVN30L1X7HQ	1 x 7.5	120-277	LED	Electronic



Options and Accessories	
Catalog #	Description
BBE	Battery Back Up - available for Compact Fluorescent models (specify 120V or 277V)
PC1	120V Photocell (Field Installed)
PC2	208-277V Photocell (Field Installed)
TPB	Tamper-proof screw bit
TPS	Tamper-proof screw
VN30PW	Special Order White Replacement Lens Only



Specifications subject to change without notice.

AVN40

Large Vandal Resistant Light



Housing: White powdercoat steel

Lens: Clear prismatic polycarbonate lens

Socket: CF: Plug-in type, GX23-2

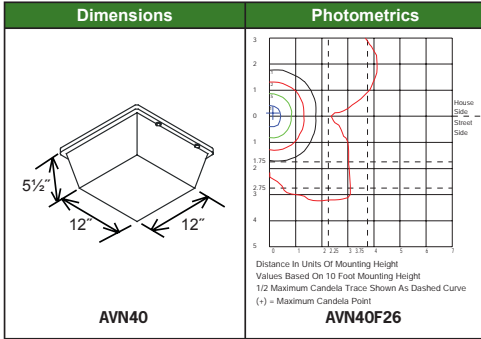
Incandescent: Porcelain 4KV pulse rated medium base socket with nickel-plated screw shell

Mounting: Mount directly over a recessed electrical box

Wattage: Compact Fluorescent: 2 x 13w

Incandescent: 2 x 60w

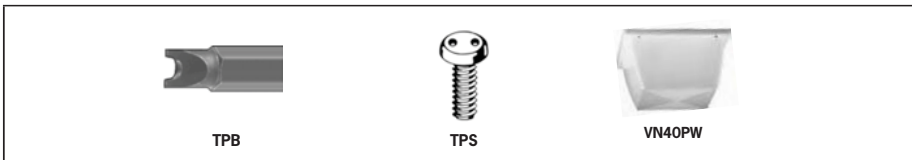
Listings & Ratings: CSA Listed for wet locations, covered ceiling mount only



Catalog #	Wattage	Voltage	Lamp	Ballast
AVN40F26	2 x 13	120	CF	Magnetic
AVN40*	2 x 60	120	Incand	none

*Lamp not included with incandescent model

Options and Accessories	
Catalog #	Description
TPB	Tamper-proof screw bit
TPS	Tamper-proof screw
VN40PW	Special Order White Replacement Lens Only



Specifications subject to change without notice.

Large Vandal Resistant Light - Deep Housing

AVN40, AVN41

Housing: Die-cast aluminum housing, 1/2" coin plugs with O-rings for conduit and photocell on two sides and back, textured architectural bronze powdercoat finish over a chromate conversion coating.

Reflector: White powdercoat reflector

Lens: Clear prismatic polycarbonate lens

Socket: HID: Porcelain 4KV pulse rated medium base socket with nickel-plated screw shell, vertical (base up) mount

CF: Plug-in type, GX24Q-3/4

Mounting: Mount directly over a 4" recessed outlet box, or use 1/2" surface conduit

Wattage: High Pressure Sodium: 50 to 150w

Metal Halide: 50 to 150w

Compact Fluorescent: 2 x 26 to 42w

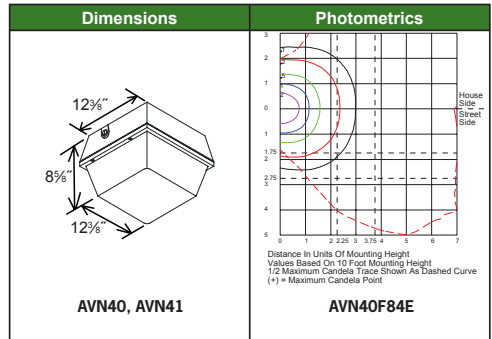
Induction: 140w

LED: 2 x 7.5w, 3 x 7.5w, 4 x 7.5w , 2 x 15w

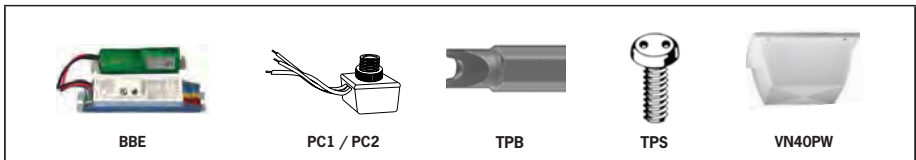
Listings & Ratings: CSA Listed for wet locations



Catalog #	Wattage	Voltage	Lamp	Ballast
AVN41H50R120	50	120	HPS	R-NPF
AVN41H70R120	70	120	HPS	R-NPF
AVN41H100R120	100	120	HPS	R-NPF
AVN41H150R120	150	120	HPS	R-NPF
AVN41H50D	50	120/277	HPS	HX-HPF
AVN41H70Q	70	Quad	HPS	HX-HPF
AVN41H100Q	100	Quad	HPS	HX-HPF
AVN41H150Q	150	Quad	HPS	HX-HPF
AVN41M50D	50	120/277	MH	HX-HPF
AVN41M70Q	70	Quad	MH	HX-HPF
AVN41M100Q	100	Quad	MH	HX-HPF
AVN41M150Q	150	Quad	MH	HX-HPF
AVN40F52E	2 x 26	120-277	CF	Electronic
AVN40F64E	2 x 32	120-277	CF	Electronic
AVN40F84E	2 x 42	120-277	CF	Electronic
AVN40I40120	40	120	IND	Electronic
AVN40I40277	40	277	IND	Electronic
AVN41L2X7HQ	2 x 7.5	120-277	LED	Electronic
AVN41L3X7HQ	3 x 7.5	120-277	LED	Electronic
AVN41L4X7HQ	4 x 7.5	120-277	LED	Electronic
AVN41L2X15Q	2 x 15	120-277	LED	Electronic



Options and Accessories	
Catalog #	Description
BBE	Battery Back Up - available for Compact Fluorescent models (specify 120V or 277V)
PC1	120V Photocell (Field Installed)
PC2	208-277V Photocell (Field Installed)
TPB	Tamper-proof screw bit
TPS	Tamper-proof screw
VN40PW	Special Order White Replacement Lens Only



Specifications subject to change without notice.

Small and Medium Incandescent Lights

AVB, AVP, AVW



Housing: Heavy duty die-cast aluminum housing and screw-on guard, chromate conversion coating, textured aluminum powdercoat finish, 3/4" NPT threaded mounts, box and wall mount styles include weatherproof box with coin plugs. Reducer bushing 3/4 to 1/2" included.

Lens: Clear or optional Frosted (FR) glass cylinder

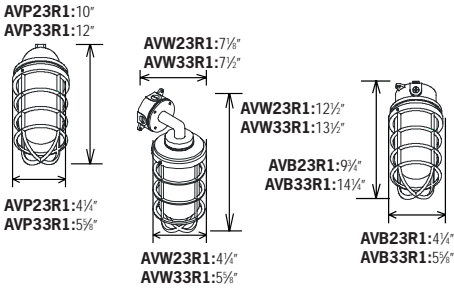
Socket: Porcelain 4KV pulse rated medium base socket with nickel-plated screw shell

Mounting: Mounts on wall, electrical box or pendant depending on model. (Conduit Stems and Arms available by special order - please consult factory)

Wattage: AVP23R1, AVB23R1, AVW23R1: 200 watt
AVP33R1, AVB33R1, AVW33R1: 300 watt

Listings & Ratings: CSA Listed for wet locations

Dimensions



Catalog #	Wattage	Voltage	Ballast
AVP23R1	200	120	none
AVP33R1	300	120	none
AVB23R1	200	120	none
AVB33R1	300	120	none
AVW23R1	200	120	none
AVW33R1	300	120	none

Add suffix "FR" for optional Frosted glass.
Lamp not included

Options and Accessories

Catalog #	Description
CPSPR	Round swivel canopy, fits 3/4" conduit** (includes 1/2" reducer bushing)
CPSPS	Square swivel canopy, fits 3/4" conduit** (includes 1/2" reducer bushing)
VS20A	Angled shade for AVP20 or AVB20
VS30A	Angled shade for AVP30 or AVB30
VS20S	Straight shade for AVP20 or AVB20
VS30S	Straight shade for AVP30 or AVB30
VWGS	Wire guard for VS20S or VS30S* (used in place of cast guard)
VWGA	Wire guard for VS20A or VS30A* (used in place of cast guard)

*When used with VS30, requires removal of glass - suitable for indoor applications only
**Conduit Stems and Arms available by special order only - please consult factory



CPSPR



CPSPS



VS20A, VS30A



VS20S, VS30S



VWGA



VWGS

Specifications subject to change without notice.

AVB, AVP, AVW

Small and Medium Fluorescent Lights

Housing: Heavy duty die-cast aluminum housing and screw-on guard, chromate conversion coating, textured aluminum powdercoat finish, 3/4" NPT threaded mounts, box and wall mount styles include weatherproof box with coin plugs. Reducer bushing 3/4 to 1/2" included.

Lens: Clear or optional Frosted (FR) glass cylinder

Socket: Plug-in type, G24Q-1

Mounting: Mounts on wall, electrical box or pendant depending on model. (Conduit Stems and Arms available by special order - please consult factory)

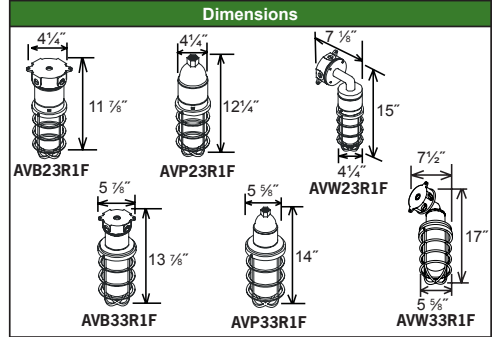
Wattage: Compact Fluorescent: 1 x 13w

Listings & Ratings: CSA Listed for wet locations



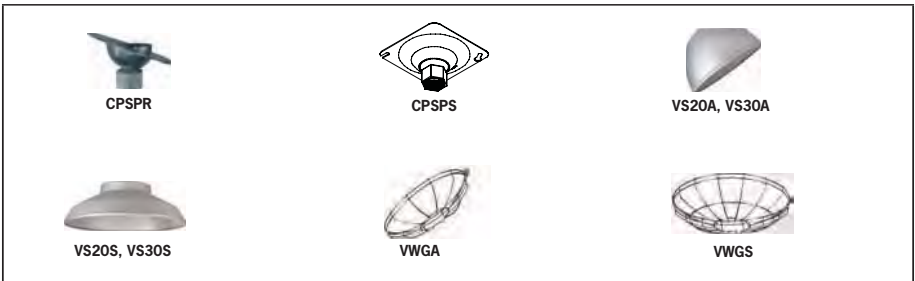
Catalog #	Wattage	Voltage	Lamp	Ballast
AVP23R1F13	1 X 13	120	CF	Electronic
AVP33R1F13	1 X 13	120	CF	Electronic
AVB23R1F13	1 X 13	120	CF	Electronic
AVB33R1F13	1 X 13	120	CF	Electronic
AVW23R1F13	1 X 13	120	CF	Electronic
AVW33R1F13	1 X 13	120	CF	Electronic

Add suffix "FR" for optional Frosted glass.



Options and Accessories		
Catalog #	Description	
CPSPR	Round swivel canopy, fits 3/4" conduit ** (includes 1/2" reducer bushing)	
CPSPS	Square swivel canopy, fits 3/4" conduit ** (includes 1/2" reducer bushing)	
VS20S	Straight shade for AVP20 or VB20	
VS30S	Straight shade for AVP30 or VB30	
VS20A	Angled shade for AVP20 or VB20	
VS30A	Angled shade for AVP30 or VB30	
VWGS	Wire guard for VS20S or VS30S*	(used in place of cast guard)
VWGA	Wire guard for VS20A or VS30A*	(used in place of cast guard)

*When used with VS30, requires removal of glass - suitable for indoor applications only
 **Conduit Stems and Arms available by special order only - please consult factory



Specifications subject to change without notice.

Large HID and Fluorescent Lights

AVB43, AVP43, AVW43



Housing: Heavy duty die-cast aluminum housing and screw-on guard, chromate conversion coating, textured aluminum powdercoat finish, 3/4" NPT threaded mounts, box and wall mount styles include weatherproof box with coin plugs. Reducer bushing 3/4 to 1/2" included.

Lens: Clear or optional Frosted (FR) glass cylinder

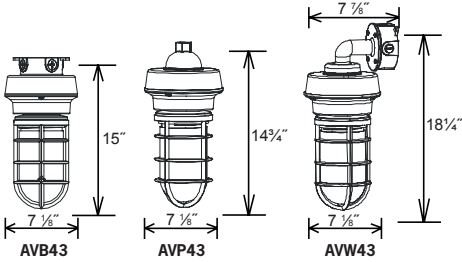
Socket: HID: Porcelain 4KV pulse rated medium base socket with nickel-plated screw shell
CF: Plug-in type, GX24Q-4

Mounting: Mounts on wall, electrical box or pendant depending on model. (Conduit Stems and Arms available by special order - please consult factory)

Wattage: High Pressure Sodium: 150w
Metal Halide: 70w
Compact Fluorescent: 1 x 42w

Listings & Ratings: CSA Listed for wet locations

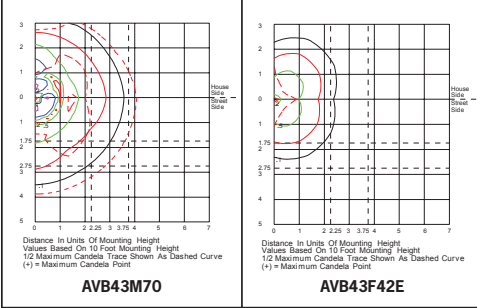
Dimensions



Catalog #	Wattage	Voltage	Lamp	Ballast
AVB43H150R120	150	120	HPS	R-NPF
AVB43M70Q	70	Quad	MH	HX-HPF
AVB43F42E	42	120-277	CF	Electronic
AVP43H150R120	150	120	HPS	R-NPF
AVP43M70Q	70	Quad	MH	HX-HPF
AVP43F42E	42	120-277	CF	Electronic
AVW43H150R120	150	120	HPS	R-NPF
AVW43M70Q	70	Quad	MH	HX-HPF
AVW43F42E	42	120-277	CF	Electronic

Add suffix "FR" for optional Frosted glass.

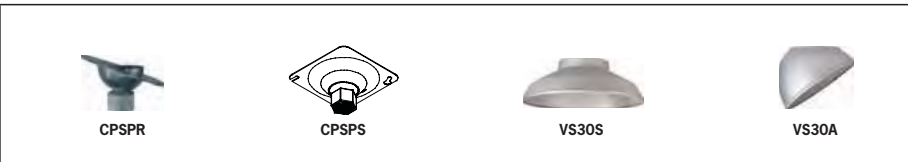
Photometrics



Options and Accessories

Catalog #	Description
CPSPR	Round swivel canopy, fits 3/4" conduit** (includes 1/2" reducer bushing)
CPSPS	Square swivel canopy, fits 3/4" conduit** (includes 1/2" reducer bushing)
VS30S	Straight shade for AVP43 or AVB43
VS30A	Angled shade for AVP43 or AVB43

**Conduit Stems and Arms available by special order only - please consult factory



Specifications subject to change without notice.

AVB63, AVP63, AVW63

HID and Fluorescent Globe Lights

Housing: Heavy duty die-cast aluminum housing and screw-on guard, chromate conversion coating, textured aluminum powdercoat finish, 3/4" NPT threaded mounts, box and wall mount styles include weatherproof box with coin plugs. Reducer bushing 3/4 to 1/2" included.

Lens: White Polycarbonate globe

Socket: HID: Porcelain 4KV pulse rated medium base socket with nickel-plated screw shell
CF: Plug-in type, GX24Q-3

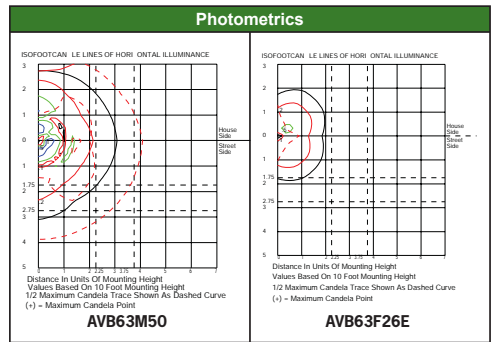
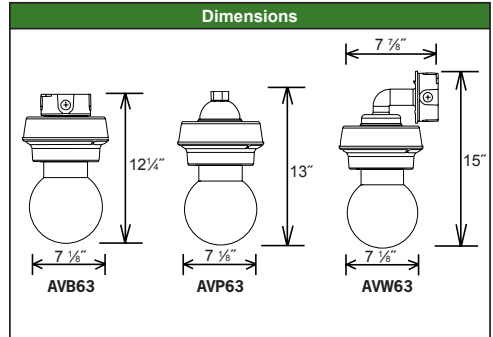
Mounting: Mounts on wall, electrical box or pendant depending on model. (Conduit Stems and Arms available by special order - please consult factory)

Wattage: High Pressure Sodium: 50w
Metal Halide: 50w
Compact Fluorescent: 1 x 26w

Listings & Ratings: CSA Listed for wet locations



Catalog #	Wattage	Voltage	Lamp	Ballast
AVB43H50R120	50	120	HPS	R-NPF
AVB63M50Q	50	Quad	MH	HX-HPF
AVB63F26E	26	120-277	CF	Electronic
AVP63M50Q	50	Quad	MH	HX-HPF
AVP63F26E	26	120-277	CF	Electronic
AVW63M50Q	50	Quad	MH	HX-HPF
AVW63F26E	26	120-277	CF	Electronic



Options and Accessories

Catalog #	Description
CPSPR	Round swivel canopy, fits 3/4" conduit** (includes 1/2" reducer bushing)
CPSPS	Square swivel canopy, fits 3/4" conduit** (includes 1/2" reducer bushing)

**Conduit Stems and Arms available by special order only - please consult factory



Specifications subject to change without notice.

HID and Fluorescent Cylinder Lights

AVB53, AVP53, AVW53



Housing: Heavy duty die-cast aluminum housing and screw-on guard, chromate conversion coating, textured aluminum powdercoat finish, 3/4" NPT threaded mounts, box and wall mount styles include weatherproof box with coin plugs. Reducer bushing 3/4" to 1/2" included.

Lens: Clear or optional Satin-Etched Prismatic (SE) glass cylinder

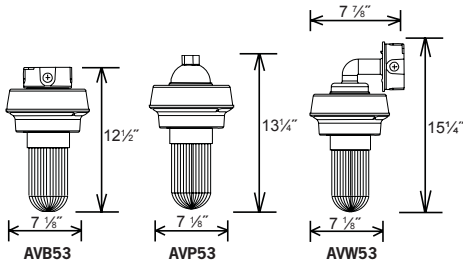
Socket: HID: Porcelain 4KV pulse rated medium base socket with nickel-plated screw shell
CF: Plug-in type, GX24Q-3

Mounting: Mounts on wall, electrical box or pendant depending on model. (Conduit Stems and Arms available by special order - please consult factory)

Wattage: Metal Halide: 50w
Compact Fluorescent: 1 x 26w

Listings & Ratings: CSA Listed for wet locations

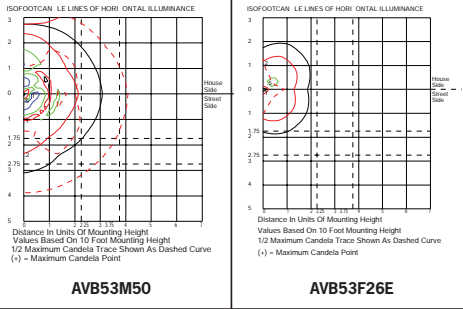
Dimensions



Catalog #	Wattage	Voltage	Lamp	Ballast
AVB53H50R	50	120	HPS	R-NPF
AVB53M50Q	50	Quad	MH	HX-HPF
AVB53F26E	26	120-277	CF	Electronic
AVP53M50Q	50	Quad	MH	HX-HPF
AVP53F26E	26	120-277	CF	Electronic
AVW53M50Q	50	Quad	MH	HX-HPF
AVW53F26E	26	120-277	CF	Electronic

Add suffix "SE" for optional Satin-Etched glass.

Photometrics



Options and Accessories

Catalog #	Description
CPSPR	Round swivel canopy, fits 3/4" conduit** (includes 1/2" reducer bushing)
CPSPS	Square swivel canopy, fits 3/4" conduit** (includes 1/2" reducer bushing)
SE	Satin-Etched Prismatic (SE) glass cylinder

**Conduit Stems and Arms available by special order only - please consult factory



CPSPR



CPSPS



SE

Specifications subject to change without notice.

AEL10, AEL15

Entry Lights

Housing: AEL10: Die cast aluminum housing, brushed aluminum finish
 AEL15: Die cast aluminum housing, textured aluminum finish
Lens: AEL10: White glass cylinder
 AEL15: Clear prismatic polycarbonate cylinder
Socket: CF: Plug-in type, GX23-2
 Incandescent: Porcelain medium base socket with nickel-plated screw shell
Mounting: Mounts over a 4" recessed electrical box
Wattage: AEL10: 100w Incandescent
 AEL15: 1x13w Compact Fluorescent
Listings & Ratings: CSA Listed for wet locations



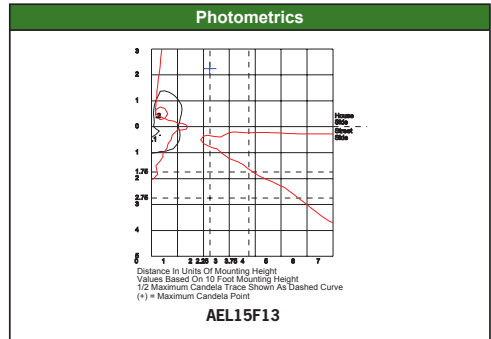
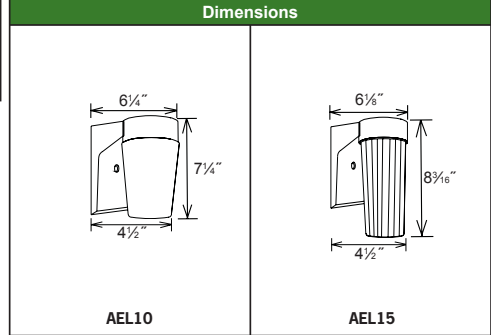
AEL10



AEL15

Catalog #	Wattage	Voltage	Lamp	Ballast
AEL10 (Incandescent)*	100	120	Incand	None
AEL15F13	1x13	120	CF	Magnetic

*Lamp not included with incandescent models



Specifications subject to change without notice.

Entry Lights

AEL50, AEL60



AEL50



AEL60

Housing: AEL50: Die cast aluminum housing, Brushed Aluminum Finish
AEL60: Die cast aluminum housing, Textured Aluminum Finish

Lens: AEL50: Clear Prismatic Glass Cylinder
AEL60: White Polycarbonate Globe

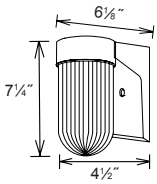
Socket: CF: Plug-in type, GX23-2
Incandescent: Porcelain medium base socket with nickel-plated screw shell

Mounting: Mounts over a 4" recessed electrical box

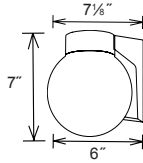
Wattage: AEL50: 100w Incandescent
1x13w Compact Fluorescent
AEL60: 60w Incandescent
1x13w Compact Fluorescent

Listings & Ratings: CSA Listed for wet locations

Dimensions



AEL50

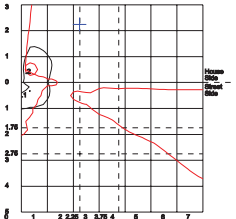


AEL60

Catalog #	Wattage	Voltage	Lamp	Ballast
AEL50 (Incandescent)*	100	120	Incand	None
AEL50F13	1x13	120	CF	Magnetic
AEL60 (Incandescent)*	60	120	Incand	None
AEL60F13	1x13	120	CF	Magnetic

*Lamp not included with incandescent models

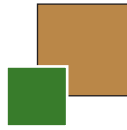
Photometrics



Distance in Units Of Mounting Height
Values Based On 10 Foot Mounting Height
1/2 Maximum Candela Trace Shown As Dashed Curve
(+) = Maximum Candela Point

AEL50F13

Specifications subject to change without notice.



ABOUT HIGH PERFORMANCE LIGHTING

Lighting plays a critical role in the ever-evolving standards and practices of Green Building and Sustainable Design. Increased environmental awareness in the public and private sectors, coupled with developments in technology, has impacted the criteria for lighting specifications.

The focus is on “High-Performance Lighting,” or lighting that is both efficient and effective. Lighting fixtures are a key component of a total lighting solution, which incorporates energy-efficient light sources, then uses them to their best advantage by maximizing delivered lumens while reducing Light Pollution. The goal is to achieve lighting objectives while reducing energy and maintenance costs, and with an added emphasis on value and long-term environmental benefits.

The “High-Performance Lighting” design process is inclusive of the entire building project, its purposes and functions, and the needs of the people involved. The specifier should consider the number and type of fixtures, and the use of such features as enhanced reflectors and optics, and sensors and lighting control systems. Many installations benefit from the use of Cutoff lighting fixtures that allow the user to further direct and adjust light levels and distribution patterns.

The choice of light source for a high-performance lighting installation depends on a number of factors including lumen maintenance, color stability, and rated average lamp life, as well as environmental concerns such as energy efficiency and low mercury content.

This catalog features a wide range of high-performance, energy-efficient lighting, including a wide selection of Cutoff fixtures that comply with current Green Building Standards.



LIGHT SOURCE COMPARISONS

(SORTED BY LUMEN OUTPUT)

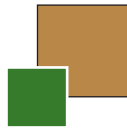
Light Source	Lamp Wattage	Lumen Output	Lamp Life	Lumens Per Watt (Efficacy)
LED (1 x 15w)	15	700	50000	46
Incandescent (A)	60	890	1000	15
Compact Fluorescent	13	900	12000	69
Halogen (A-Hal)	50	965	3000	19

LED (2 x 7.5w)	15	1000	50000	66
Incandescent (A)	75	1220	750	16
Compact Fluorescent	18	1250	12000	69
Halogen (A-Hal)	75	1315	3000	18

LED (3 x 7.5w)	22.5	1500	50000	66
Incandescent (A)	100	1600	750	16
Halogen (A-Hal)	100	1800	3000	18
Compact Fluorescent	26	1800	16000	69

Compact Fluorescent	32	2400	16000	75
Incandescent (A)	150	2740	750	18
LED (4 x 15w)	60	2800	50000	46
Induction	40	2800	100000	70
Compact Fluorescent	42	3200	16000	76

LED (5 x 15w)	75	3500	50000	46
Incandescent (A)	200	3850	750	19
Pulse-start Metal Halide	50	4100	16000	82
Compact Fluorescent	57	4300	16000	75



LIGHT SOURCE COMPARISONS

(SORTED BY LUMEN OUTPUT)

Light Source	Lamp Wattage	Lumen Output	Lamp Life	Lumens Per Watt (Efficacy)
LED (8 x 15w)	120	5600	50000	46
Incandescent (A)	300	5860	750	20
Pulse-start Metal Halide	70	6200	16000	89
Induction	80	6400	100000	80
Pulse-start Metal Halide	100	9500	16000	95
Induction	120	9600	100000	80
Induction	150	12000	100000	80
Pulse-start Metal Halide	150	14000	16000	93
Pulse-start Metal Halide	175	16000	15000	91
T5HO (4 x 54w)	216	17800	25000	82
Induction	200	18000	100000	90
Pulse-start Metal Halide	250	23750	15000	95
T5HO (6 x 54w)	324	26700	25000	82
Pulse-start Metal Halide	320	30000	20000	94
Pulse-start Metal Halide	400	42600	20000	107
Pulse-start Metal Halide	750	82000	16000	110
Pulse-start Metal Halide	1000	120000	15000	120



METAL HALIDE LIGHTING



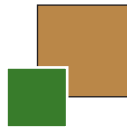
Metal Halide provides the whitest light and best color rendering of the High Intensity Discharge (HID) lamping category, and metal halide pulse-start technology, which has virtually replaced conventional probe-starts, has even greater benefits. Pulse-start metal halide lamps provide increased efficiency and longer lamp life, thereby lowering both replacement and lifetime operating costs. Higher initial light levels and an up to 40 percent improvement in maintained light over time means lighting requirements are fulfilled with fewer total fixtures. Additional pluses include faster warm-up and re-strike times, better cold weather starts, and a wide range of available pulse-start lamps and ballasts from 20 to 1,000 watts.

Luraline Pulse-Start products between 150 and 500 watts comply with the Energy Independence and Security Act (EISA) of 2007.

Please consider the environment, when selecting light sources:

Instead of Probe Start	Use Pulse-Start Metal Halide	Energy Savings	Lumen Output	Lamp Life
175 Watt	150 Watt	15%	122%	150%
250 Watt	175 Watt	30%	85%	150%
250 Watt	250 Watt	0%	120%	150%
400 Watt	320 Watt	20%	80%	120%
400 Watt	400 Watt	0%	118%	120%

Instead of Probe Start	Use F54T5HO Fluorescent	Energy Savings	Lumen Output	Lamp Life
250 Watt	4x54 Watt	15%	88%	200%
400 Watt	6x54 Watt	18%	75%	125%



FLUORESCENT LIGHTING



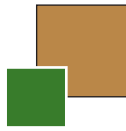
Fluorescent fixtures are designed to meet illumination requirements while significantly lowering operating costs and complying with mandated energy usage standards. Fluorescent lamps last up to 20 times longer and are up to six times more efficient than traditional incandescent bulbs. Upgrading from incandescent to compact fluorescent saves up to 79 percent in energy costs without any sacrifice in quality or color rendering. Most fluorescent lamps are also available with low mercury content.

Because they can be used in traditional light-bulb sockets, compact fluorescent lamps are the preferred choice for retrofits of existing incandescent fixtures. However, please note that fixtures utilizing dedicated fluorescent sockets, ballasts and lamps are preferred whenever possible due to greater efficiency and longevity than their screw-in or GU-24 based compact fluorescent counterparts.

Please consider the environment, when selecting light sources:

Instead of Incandescent	Use Compact Fluorescent	Energy Savings	Lumen Output	Lamp Life
60 Watt	13 Watt	73%	100%	1200%
75 Watt	13 Watt	79%	74%	1600%
75 Watt	18 Watt	72%	102%	1600%
100 Watt	26 Watt	69%	112%	1600%
150 Watt	32 Watt	75%	89%	2133%
150 Watt	42 Watt	69%	118%	2133%
200 Watt	42 Watt	77%	84%	2133%
200 Watt	57 Watt	69%	113%	2133%

Instead of Halogen Par	Use Compact Fluorescent	Energy Savings	Lumen Output	Lamp Life
50 Watt	13 Watt	68%	169%	400%
75 Watt	13 Watt	79%	90%	400%
75 Watt	18 Watt	72%	125%	400%
90 Watt	18 Watt	77%	110%	600%
120 Watt	26 Watt	74%	97%	640%



LED LIGHTING

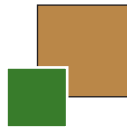


For state-of-the-art, long-life, mercury-free fixtures, specify LED lamping. As technology advances and costs continue to drop, LEDs are evolving into a mainstream light source, whose ever-increasing life cycles and light output make them an intelligent choice for a variety of commercial applications.

The latest LEDs boast up to 100,000-hour life cycles plus efficacy of 100 lumens per watt and higher, thereby using significantly less energy than other light sources to produce a comparable amount of light, while dramatically lowering maintenance and operating costs. Low UV radiation and heat levels prolong fixture and component life even further, making LEDs one of the best options for UV-sensitive applications. LED lamps are also mercury-free and thus more environmentally sound than traditional HID and fluorescent.

Please consider the environment, when selecting light sources:

Instead of	Use LED	Energy Savings	Lumen Output	Lamp Life
75 Watt Incand	15 Watt	80%	95%	8000%
100 Watt Incand	22.5 Watt	77.5%	88%	10600%
200 Watt Incand	75 Watt	25%	206%	10600%
70 Watt MH Par	75 Watt	0%	95%	640%



INDUCTION LIGHTING



Comparable to the newest energy-saving light sources, micro-electronically controlled electromagnetic induction lamps boast a rated average life of 100,000 hours, and high-lumen output that renders them virtually maintenance free. High-lumen maintenance rates an impressive 95 percent after 2,000 hours and 85 percent after 6,000 hours. High-frequency electronic ballasts, coupled with high system efficiency, reduce energy costs by up to 75 percent compared to HID, and up to 95 percent compared to incandescent. System efficiency of high-frequency electronic ballasts is 50 percent greater than magnetic ballasts. Additional benefits of induction lighting include excellent color rendition (CRI of 80+), instant on/off, starting temperatures as low as -35 degrees Celsius, and almost zero mercury content.

When long life is the top priority, specify induction lamping. Its extreme longevity makes it ideal for hard-to-reach areas such as street lights, warehouses, gymnasiums, and other high-height applications.

Please consider the environment, when selecting light sources:

Instead of	Use Induction	Energy Savings	Lumen Output	Lamp Life
150 Watt Incand	40 Watt	67%	102%	13300%
300 Watt Incand	80 Watt	67%	109%	13300%
100 Watt MH Par	80 Watt	20%	118%	800%
150 Watt MH Par	120 Watt	20%	105%	666%
175 Watt PSMH	150 Watt	15%	94%	870%
250 Watt PSMH	200 Watt	20%	90%	833%



LIGHTING ORGANIZATIONS AND RESOURCES

ILLUMINATING ENGINEERING SOCIETY (IESNA)

IESNA is the industry's premier lighting community dedicated to promoting the art and science of quality lighting to its members, allied professional organizations, and the public. The IESNA Lighting Handbook is the heart of a comprehensive library of technical standards and guides, which serves as benchmarks for residential and commercial building and energy code legislation.

<http://www.ies.org>

INTERNATIONAL DARK-SKY ASSOCIATION (IDA)

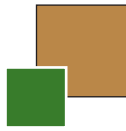
The IDA seeks to preserve dark skies worldwide for the benefit of society by promoting outdoor lighting standards that minimize light pollution, light trespass, and glare. IESNA has assisted IDA in its mission by establishing classifications for outdoor fixtures, measured by the amount of light wasted into the night sky: The percentage of lamp lumens released into the sky ranges from zero percent for Full-Cutoff rated fixtures, to 2.5 percent for Cutoff, 5 percent for Semi-Cutoff, and unrestricted lumens with Non-Cutoff rated fixtures. However, in addition to the IES classification, factors such as security, maintenance, energy efficiency, the spacing and number of fixtures, and the area's ground reflectance must also be considered when specifying the ideal Dark-Sky Friendly lighting fixture for an outdoor installation.

<http://www.darksky.org>

NATIONAL ELECTRICAL MANUFACTURERS ASSOCIATION (NEMA)

The electrical manufacturing industry's trade association provides a forum for the development of technical and performance standards; advocacy of industry policies on legislative and regulatory matters in state and federal legislatures and executive agencies; and collection, analysis, and dissemination of market data. NEMA played a key role in the development, passage and implementation of The Energy Independence and Security Act (EISA) and is continually involved in proposed legislation on environmental standards for the electrical industry.

<http://www.nema.org>



U.S. GREEN BUILDING COUNCIL (USGBC)

USGBC is dedicated to expanding green building practices and education and its **LEED®** (Leadership in Energy and Environmental Design) Green Building Rating System™ for developing high-performance, sustainable buildings. LEED addresses all building types and emphasizes state-of-the-art strategies in five areas: sustainable site development, water savings, energy efficiency, materials and resources selection, and indoor environmental quality. **LEED-EB®** for Existing Buildings offers certification for built structures through implementation of various energy performance methods.

<http://www.usgbc.org>

ENERGY STAR

America's most widely recognized energy efficiency program was created by the US Department of Energy and the Environmental Protection Agency in order to save money and reduce environmental impact through energy-efficient products and practices. Qualified lighting fixtures include those with fluorescent and LED light sources. Energy Star ratings also contribute toward certification of **LEED-EB®** projects for Existing Buildings, with **LEED®** credits awarded for raising the Energy Star rating of a built structure through implementation of various energy performance methods.

<http://www.energystar.gov>

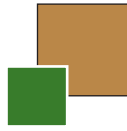
ADDITIONAL RESOURCES

Today's rapidly developing construction technologies require near-constant code updates, including the National Electric Code, which standardizes various aspects of electrical construction; the energy standards established and jointly sponsored by the American Society of Heating, Refrigerating, and Air-Conditioning Engineers and the Illuminating Engineering Society of America, popularly known as ASHRAE/IESNA 90.1; and the new Green Building standards being adopted by local and regional governments across the US. This catalog features lighting fixtures and guidelines to assist you in the specification of compliant lighting products.



NUMERICAL PRODUCT INDEX

AA	AE	AFL905.....A75
AAD205.....A59	AEL10.....A101	AFL90F.....A74
AAD20F.....A58	AEL15.....A101	AFL90W.....A72
AAD405.....A60	AEL50.....A102	AH
AAD40C.....A61	AEL60.....A102	AHB11.....A107,108
AAD40W.....A62	AEP10.....A53	AHB51.....A108
AAL50C.....A63	AF	AHBRC22.....A104
AAL70C.....A68	AFL10.....A52	AL
AAL73.....A70	AFL31.....A50	ALA.....A105
AAL90C.....A73	AFL32.....A51	ALB.....A105
AB	AFL45.....A42	ALB20.....A106
AB1GR.....A13	AFL46.....A43	ALC.....A105
AB1OF.....A13	AFL50.....A47	ALF.....A54
AB1HC.....A13	AFL505.....A64	ALL121.....A85
AB1VC.....A13	AFL50F.....A65	ALL123.....A85
AB2OF.....A14	AFL50W.....A66	ALL131.....A85
AB2HC.....A14	AFL61.....A44	ALL133.....A85
AB2GR.....A14	AFL62.....A45	AP
ABOFL.....A84	AFL65.....A46	APF10.....A78
ABOFR.....A83	AFL70.....A48	APF50.....A79
ABOG.....A80	AFL705.....A71	APSS4.....A86
ABOL.....A82	AFL70F.....A67	AS
ABOR.....A81	AFL70W.....A69	ASL.....A55
	AFL90.....A49	ASP50.....A76,77



NUMERICAL PRODUCT INDEX

AT

ATN51.....A56

AV

AVB23R1.....A96

AVB23R1F.....A97

AVB33R1.....A96

AVB33R1F.....A97

AVB43.....A98

AVB53.....A100

AVB63.....A99

AVN10.....A90

AVN20.....A91

AVN30.....A92,93

AVN40.....A94,95

AVN41.....A95

AVNGL30.....A88

AVNGL40.....A89

AVP23R1.....A96

AVP23R1F.....A97

AVP33R1.....A96

AVP33R1F.....A97

AVP43.....A98

AVP53.....A100

AVP63.....A99

AVW23R1.....A96

AVW23R1F.....A97

AVW33R1.....A96

AVW33R1F.....A97

AVW43.....A98

AVW53.....A100

AVW63.....A99

AW

AWCD.....A12

AWCS.....A11

AWH15.....A33

AWH20.....A34

AWH25.....A35

AWP10.....A36

AWP12.....A37

AWP13.....A32

AWP14.....A31

AWP15.....A38

AWP18C.....A24

AWP18O.....A25

AWP20.....A39

AWP25.....A40

AWP34.....A4

AWP35.....A5

AWP36.....A6

AWPA15.....A26

AWPA25.....A27

AWPB40.....A28

AWPC10.....A10

AWPC15.....A7

AWPC20.....A8

AWPC25.....A9

AWPC35.....A2

AWPC36.....A3

AWPR22GR.....A18

AWPR22HC.....A19

AWPR22OF.....A20

AWPR40GR.....A17

AWPR40HC.....A16

AWPR40OF.....A15

AWPS22GR.....A21

AWPS22HC.....A22

AWPS22OF.....A23

AWPS30.....A29

AWPS40.....A30



Manufacturers of Quality Products Since 1967

2388 Northwest 150th Street
Opa Locka, Florida 33054

Phone: 800.940.6588
Fax: 305.685.6500

www.luraline.com

*In consideration of the environment,
this guide was printed with soy ink and in a
reduced size to conserve paper.*